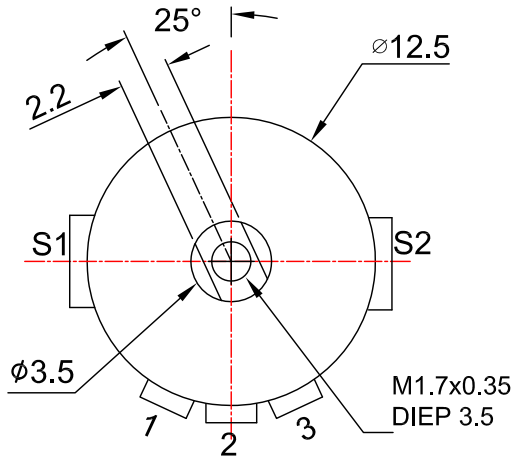
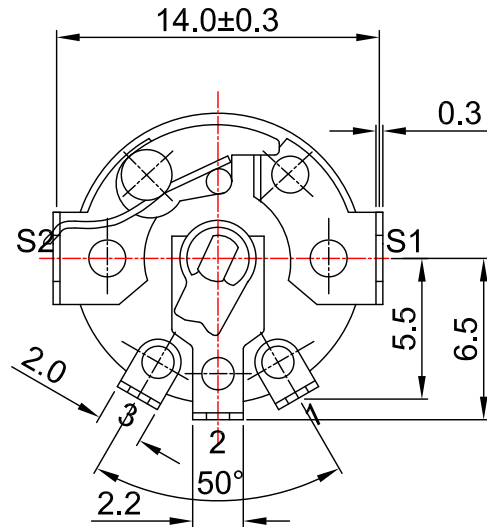


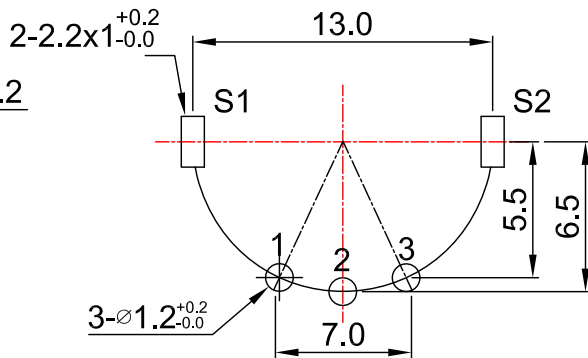
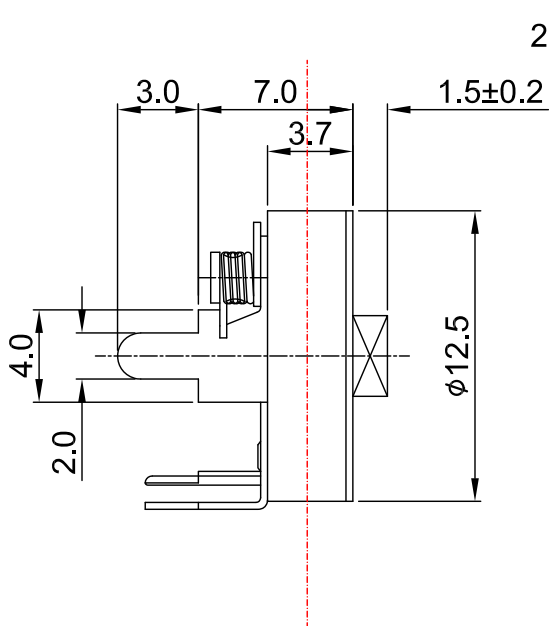
外形图 Mechanical Dimensions



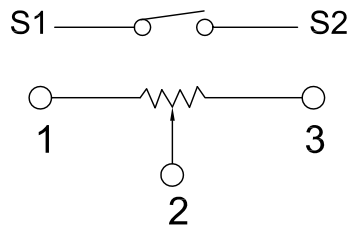
Shaft shown in full C.C.W. position



安装孔位置图
P.C.B. mounting hole detail



接线图
Circuit explanation



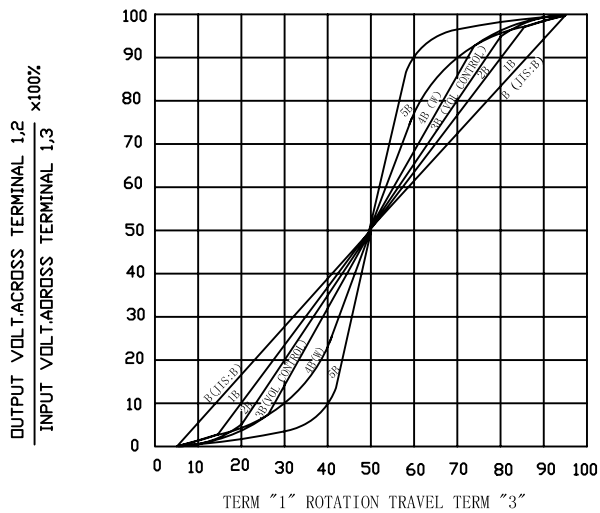
3				PRODUCT NAME	Rotary Potentiometer	
2				MODEL NAME	R127NS-1.5D1-Value	
1	NO	DATE	DESCRIPTION	APPROVED BY	CHECKED BY	DRAWN BY
			DIMENSION	TOLERANCE	SCALE	
			$\int \leq 10$	± 0.2	UNIT	mm
			$10 < \int \leq 30$	± 0.5	VER.	A0
			$30 < \int \leq 100$	± 1.0	DATE	2015-5-26
			All Angles	$\pm 5^\circ$		
				<div style="border: 1px solid black; border-radius: 50%; padding: 5px; width: 60px; margin: 0 auto;"> <div style="text-align: center; color: red; font-weight: bold;">R & D</div> <div style="text-align: center;">2015-5-26</div> <div style="text-align: center;">Eva</div> </div>	<div style="border: 1px solid black; border-radius: 50%; padding: 5px; width: 60px; margin: 0 auto;"> <div style="text-align: center; color: red; font-weight: bold;">R & D</div> <div style="text-align: center;">2015-5-26</div> <div style="text-align: center;">sophie</div> </div>	<div style="border: 1px solid black; border-radius: 50%; padding: 5px; width: 60px; margin: 0 auto;"> <div style="text-align: center; color: red; font-weight: bold;">R & D</div> <div style="text-align: center;">2015-5-26</div> <div style="text-align: center;">Ball</div> </div>

12 mm Rotary Series Potentiometers with SW Specifications

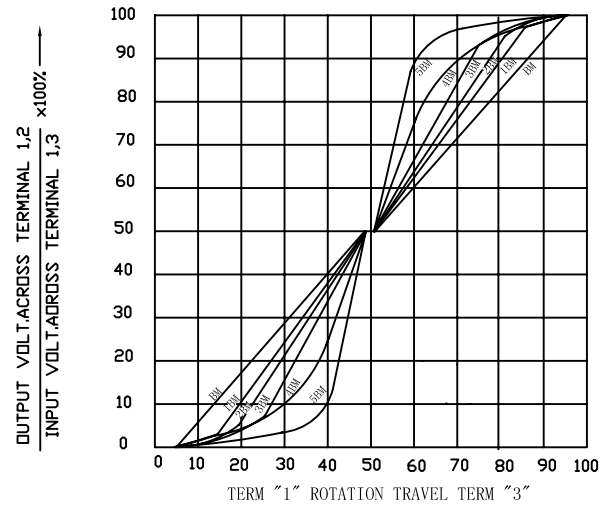
1. 電氣性能 (Electrical Characteristics)					
1.1	全阻抗值 (Total Resistance)		1K Ω		
1.2	全阻抗值允許偏差 (Total Resistance Tolerance)		$\pm 20\%$ (More than 1 M Ω $\pm 30\%$)		
1.3	電阻隨溫度變化特性 Resistance of temperature change character)		20 $^{\circ}$ C-75 $^{\circ}$ C: $\Delta R/R \leq \pm 5\%$, -25 $^{\circ}$ C-20 $^{\circ}$ C: $\Delta R/R \leq \pm 4.5\%$		
1.4	阻值變化特性 (Resistance Taper)		C		
1.5	零位阻值 (Residual Resistance)		R \geq 250K Ω / 0.1 % max. of total Value 250K Ω >R>10K Ω / 20 Ω max. 10K Ω >R / 10 Ω max.		
1.6	額定功率 (Rated Power)		Linear Taper B: 0.02W Other Taper:0.01W		
1.7	最高使用電壓 (Max.Operating Voltage)		150V AC		
1.8	動雜音 (Rotational Noise)		Less Than 100mV		
1.9	絕緣阻抗 (Insulation Resistance)		More than 50M Ω at DC 500V		
1.10	耐電壓 (Withstand Voltage)		For 1 minute at: AC 500V		
1.11	開關額定功率(Switch Rated Power)		0.5A at AC/DC 12V		
1.12	同步誤差 (Gang Error)		-----		
2. 機械性能 (Mechanical Characteristics)					
2.1	全回轉角度 (Rotation Angle)		230 $^{\circ}$ \pm 10 $^{\circ}$		
2.2	旋轉力矩 (Rotation Torque)		20~100gf.cm		
2.3	軸的拉、押強度 (Pull-Push Strength)		1 Kgf.cm		
2.4	轉動止檔強度 (Rotational Stop-End Torque)		2 kgf.cm Min		
2.5	開關角度(Switch Working Angel)		35 $^{\circ}$ \pm 10 $^{\circ}$		
2.6	開關力矩(Switch Working Torque)		50~350gf.cm		
2.7	旋轉定位數目 (Number of Detents(click))		no detent		
2.8	焊錫耐熱性 (Resistance To Soldering Heat)		260 \pm 5 $^{\circ}$ C and less than 3 seconds		
3. 耐久性能 (Durability)					
3.1	回轉壽命 (Rotation Life)		10,000 Cycles min.		
3.2	工作溫度 (Operating temperature)		-10 $^{\circ}$ C~+70 $^{\circ}$ C		
4.1	外形尺寸圖/曲線特性圖 (Shape size drawing/curve characteristic drawing)		見附頁 Please refer the drawing		
批 准			審 核		
			設 計		

RESISTANCE TAPER

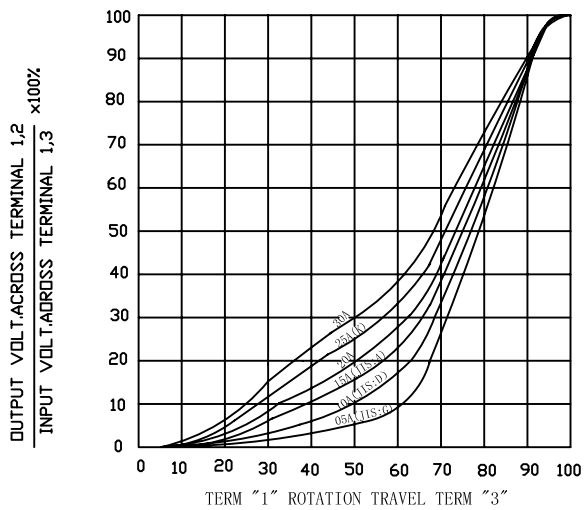
TAPER B SERIES



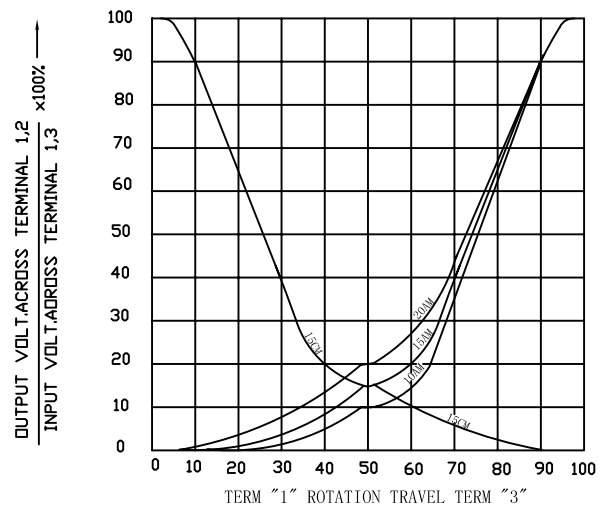
TAPER B WITH 50% TAP



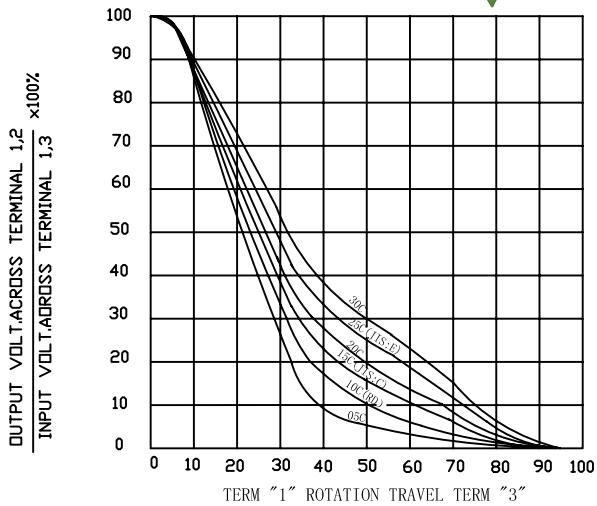
TAPER A SERIES



TAPER A & C WITH 50% TAP



TAPER C SERIES



TAPER M & N SERIES

