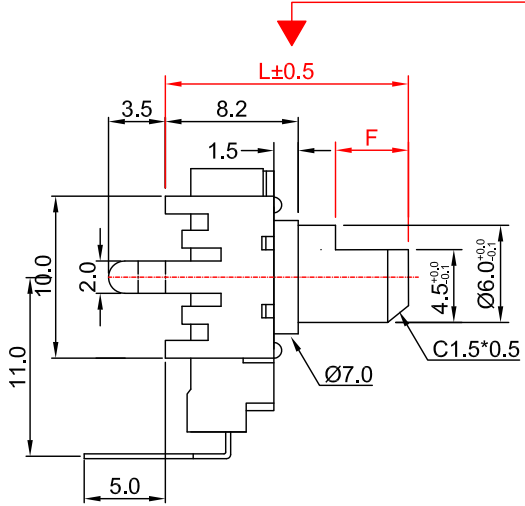
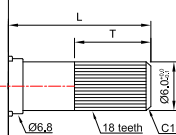


# 14mm rotary potentiometer common drawing

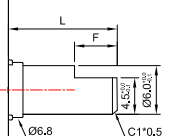
Model No. R1416G-xD1- taper value





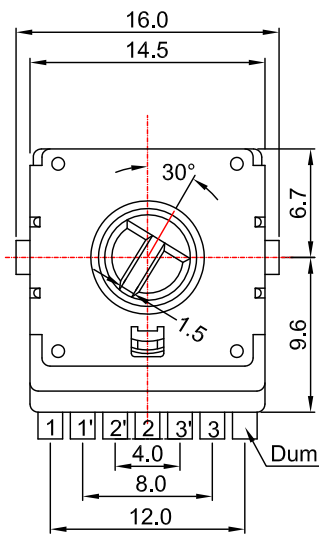
**T type**

X	P	Q	S	L	R	T	M	N
L	15	20	25	30	22.5	27.5	32.5	37.5
T	4.5	7	12	12	7	12	12	12



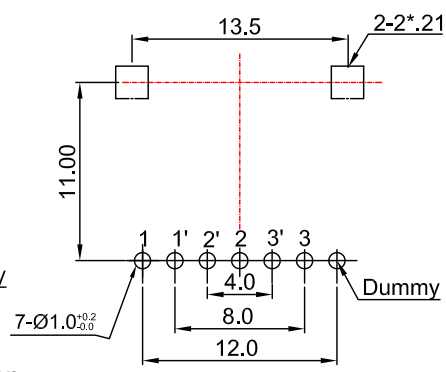
**F type**

X	1	2	3	4	5	6	7	8	9
L	15	20	25	30	35	22.5	27.5	32.5	37.5
T	4.5	7	12	12	12	7	12	12	12



Shaft shown in full.C.C.W.position

安装孔位图  
P.C.B. mounting hole detail



接线图  
Circuit explanation

