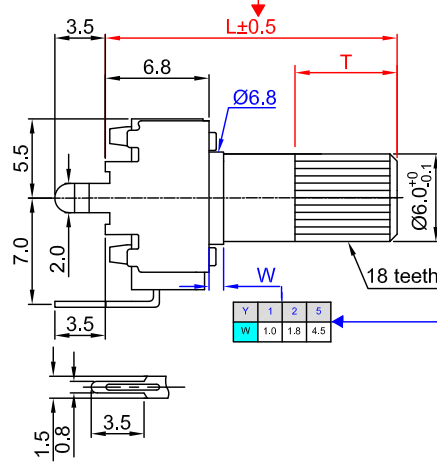
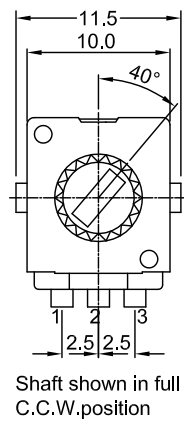
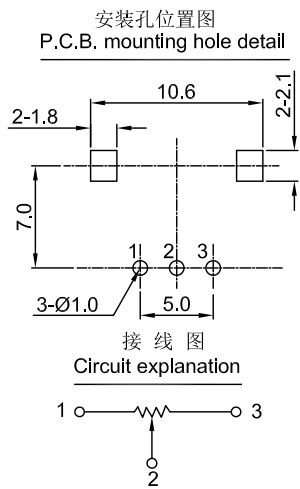


9mm common drawing

Model No. R090yN-xD1- taper value



Shaft shown in full
C.C.W. position

X	P	Q	R	S
L	15	20	25	30
F	6	7	12	12

Shaft shown in full
C.C.W. position

X	J	K	L	M	E
L	15	20	25	30	35
T	7	7	7	7	12

Shaft shown in full
C.C.W. position

X	0	1	2	3	4
L	15	20	25	30	35
T	7	7	7	12	12

Shaft shown in full
C.C.W. position

X	G	H	T	F
L	15	20	25	30
T	7	7	12	12