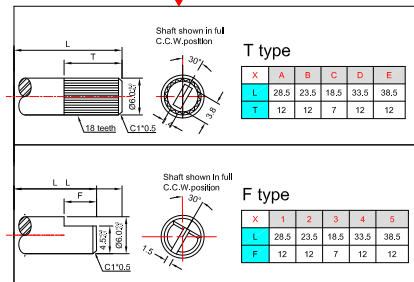
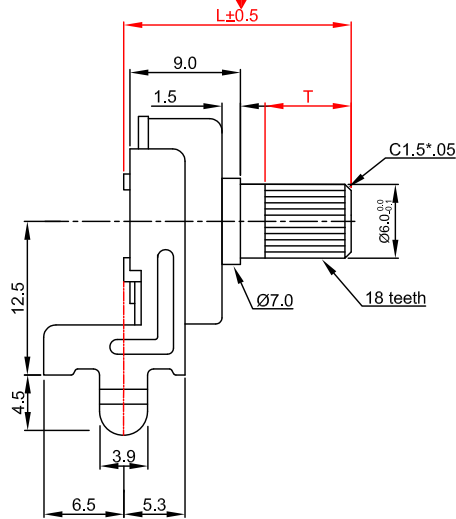


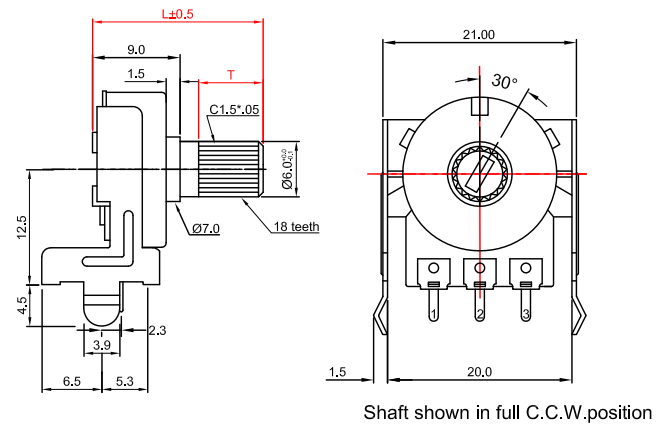
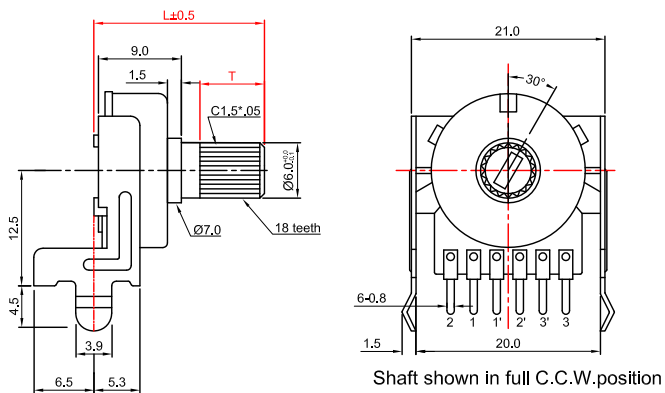
16mm common drawing

Model No. R1616(N/G)-xA1- taper value

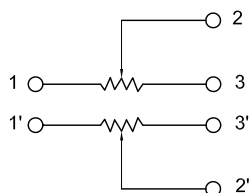


R1616G-xA1

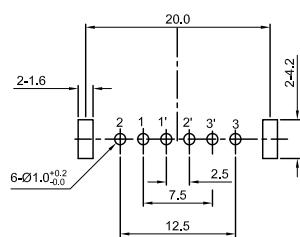
R1616N-xA1



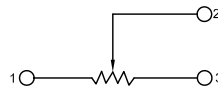
接线图
Circuit explanation



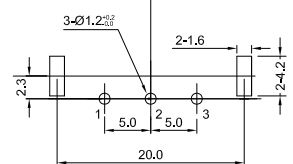
安装孔位图
P.C.B. mounting hole detail



接线图
Circuit explanation



安装孔位图
P.C.B. mounting hole detail



YU WAH (D G) CO.,LTD