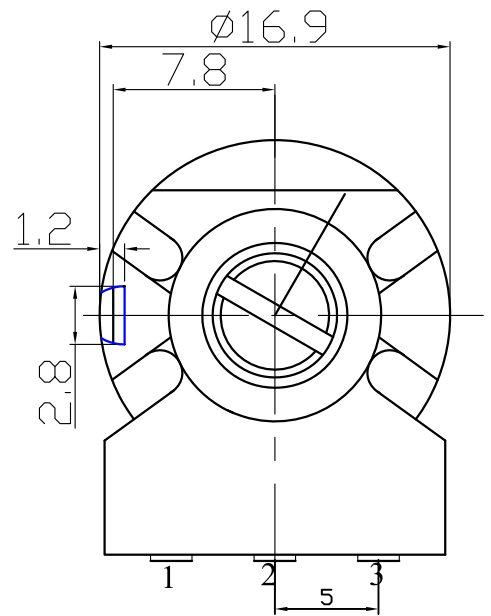
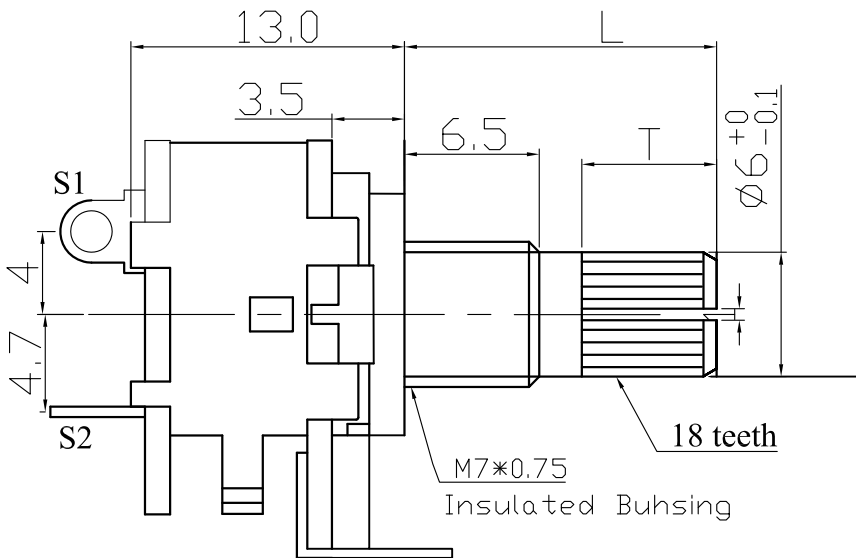
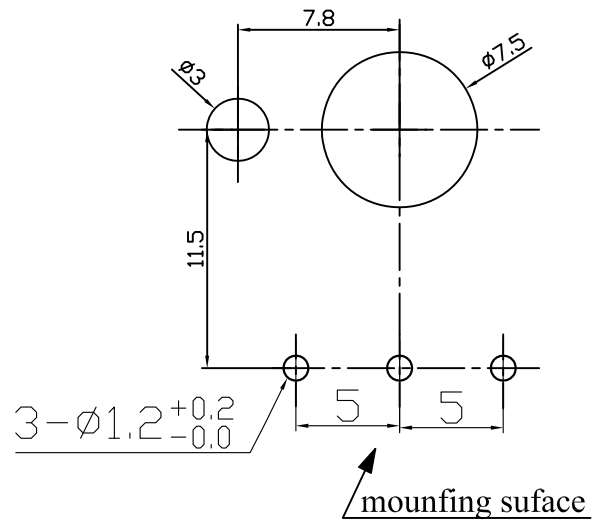


外形圖 Mechanical Dimensions

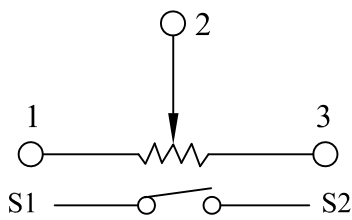


shaft shown in full
C. C. W. position

安裝孔位置圖
Mounting Hole

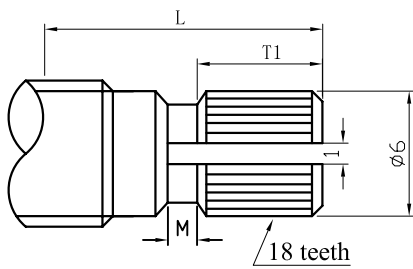


接線圖
Circuit Explanation



| | | | | | | | |
|----|-------------------|-------------|-------|-------------------------------|-------------------------------|--------------------------|--|
| 3 | | | | PRODUCT NAME | 旋轉電位器 | | |
| 2 | | | | MODEL NAME | R1611S-□C1-Value | | |
| 1 | | | | APPROVED BY | CHECKED BY | DRAWN BY | |
| NO | DATE | DESCRIPTION | | | | | |
| | DIMENSION | TOLERANCE | SCALE | | | | |
| | $l \leq 10$ | ± 0.2 | UNIT | | | mm | |
| | $10 < l \leq 30$ | ± 0.5 | VER. | | | | |
| | $30 < l \leq 100$ | ± 1.0 | DATE | 07/06/07 | | | |
| | | | | R & D 2008.05.10 Sophie | R & D 2008.05.10 Sophie | 工程部 2012.09.05 Eva | |

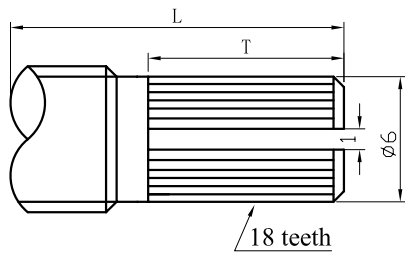
R16 SERIES SHAFT TYPE



AI shaft

KQ TYPE:

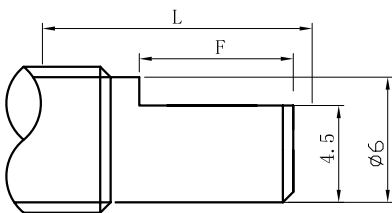
| | | | | | | | |
|----|-----|-----|-----|-----|----|----|----|
| X | 0 | 1 | 2 | 3 | 4 | 5 | 6 |
| L | 10 | 12 | 15 | 17 | 20 | 25 | 30 |
| T1 | 1.5 | 3.5 | 6.0 | 7.0 | 10 | 12 | 12 |
| M | 0.5 | 0.5 | 1.0 | 1.5 | 2 | 2 | 4 |



molten shaft

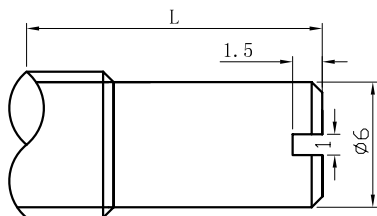
KQ TYPE:

| | | | | | | | |
|---|-----|----|-----|-----|------|----|----|
| X | 0 | 1 | 2 | 3 | 4 | 5 | 6 |
| L | 10 | 12 | 15 | 17 | 20 | 25 | 30 |
| T | 1.5 | 4 | 6.5 | 8.5 | 11.5 | 14 | 19 |



F TYPE:

| | | | | | | |
|---|----|----|----|----|-----|--|
| X | A | C | D | E | G | |
| L | 15 | 20 | 25 | 30 | 12 | |
| F | 7 | 12 | 12 | 12 | 3.5 | |



S TYPE:

| | | | | | | |
|---|----|----|----|----|----|----|
| X | P | Q | R | S | T | U |
| L | 10 | 15 | 20 | 25 | 30 | 40 |

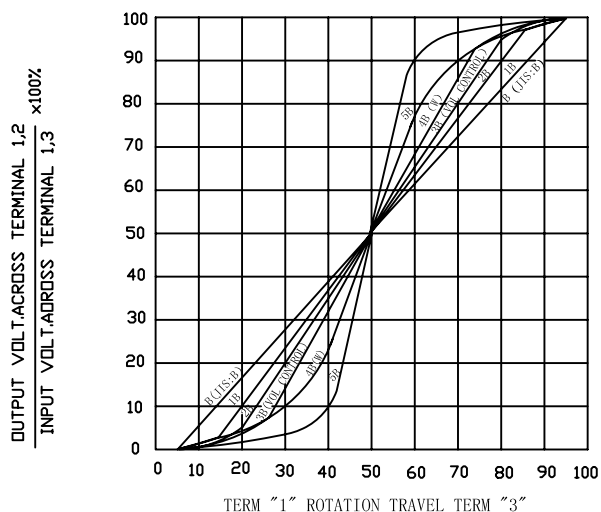


16 mm Rotary Potentiometers with SW series Specifications

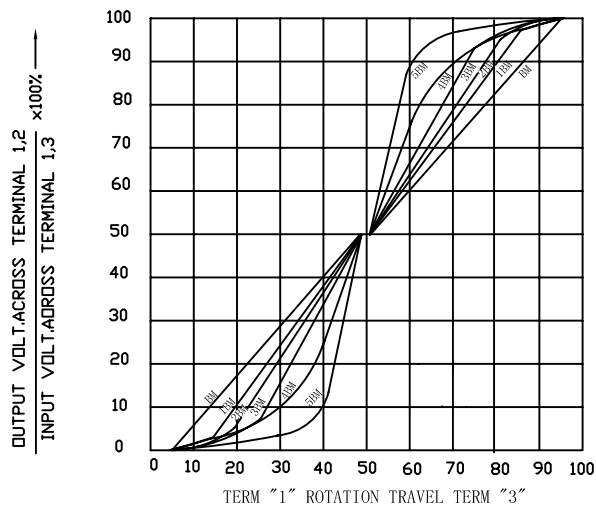
| 1. 電氣性能 (Electrical Characteristic) | | | | | |
|--------------------------------------|---|--|---|---|--|
| 1.1 | 全阻抗值 (Total Resistance) | | 1K Ω ~ 2M Ω | | |
| 1.2 | 全阻抗值允许偏差 (Total Resistance Tolerance) | | $\pm 20\%$ (More than 1 M Ω $\pm 30\%$) | | |
| 1.3 | 電阻隨溫度變化特性 (Resistance of temperature change character) | | 20 $^{\circ}$ C -75 $^{\circ}$ C : $\Delta R/R \leq \pm 5\%$, -25 $^{\circ}$ C -20 $^{\circ}$ C : $\Delta R/R \leq \pm 4.5\%$ | | |
| 1.4 | 阻值變化特性 (Resistance Taper) | | A, B | | |
| 1.5 | 零位阻值 (Residual Resistance) | | R > 250K Ω / 0.1 % max. of total Value 250K Ω > R > 10K Ω / 20 Ω max. 10K Ω > R / 10 Ω max. | | |
| 1.6 | 額定功率 (Rated Power) | | Linear Taper B: 0.2W Other Taper: 0.1W | | |
| 1.7 | 最高使用電壓 (Max. Operating Voltage) | | 150VAC | | |
| 1.8 | 動雜音 (Rotational Noise) | | Less Than 100mV | | |
| 1.9 | 絕緣阻抗 (Insulation Resistance) | | More than 100M Ω at DC 500V | | |
| 1.10 | 耐電壓 (Withstand Voltage) | | For 1 minute at: AC 500V | | |
| 1.11 | 开关額定功率 (Switch Rated Power) | | DV 12V , 1.0A max | | |
| 2. 機械性能 (Mechanical Characteristics) | | | | | |
| 2.1 | 全回轉角度 (Rotation Angle) | | 300 $^{\circ}$ \pm 5 $^{\circ}$ | | |
| 2.2 | 旋轉力矩 (Rotation Torque) | | 20 ~ 200gf.cm | | |
| 2.3 | 軸的拉、押強度 (Pull-Push Strength) | | 8 Kgf.cm | | |
| 2.4 | 轉動止檔強度 (Rotational Stop-End Torque) | | 6 kgf.cm Min | | |
| 2.5 | 开关角度 (Switch Working Angel) | | 50 $^{\circ}$ \pm 10 $^{\circ}$ | | |
| 2.6 | 开关力矩 (Switch Working Torque) | | 50 ~ 150gf.cm | | |
| 2.7 | 旋轉定位數目 (Number of Detents (click)) | | 0 detent | | |
| 2.8 | 焊錫耐熱性 (Resistance To Soldering Heat) | | 260 \pm 5 $^{\circ}$ C and less than 3 seconds | | |
| 3. 耐久性能 (Durability) | | | | | |
| 3.1 | 回轉壽命 (Rotation Life) | | 10,000 Cycles min. | | |
| 3.2 | 工作溫度 (Operating temperature) | | -10 $^{\circ}$ C ~ +70 $^{\circ}$ C | | |
| 4.1 | 外形尺寸圖/曲線特性圖 (Shape size drawing/curve characteristic drawing) | | 見附頁 Please refer the drawing | | |
| 批 准 |  | | 審 核 |  | |
| | | | 設 計 |  | |

RESISTANCE TAPER

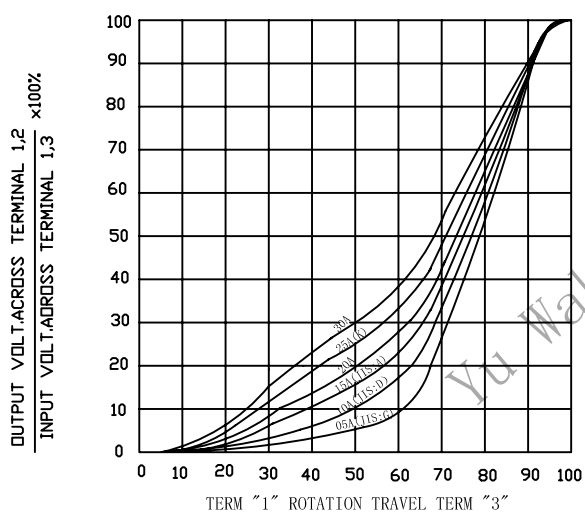
TAPER B SERIES



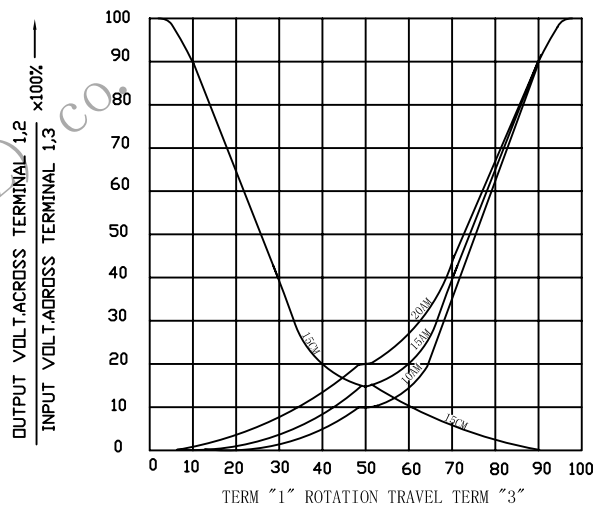
TAPER B WITH 50% TAP



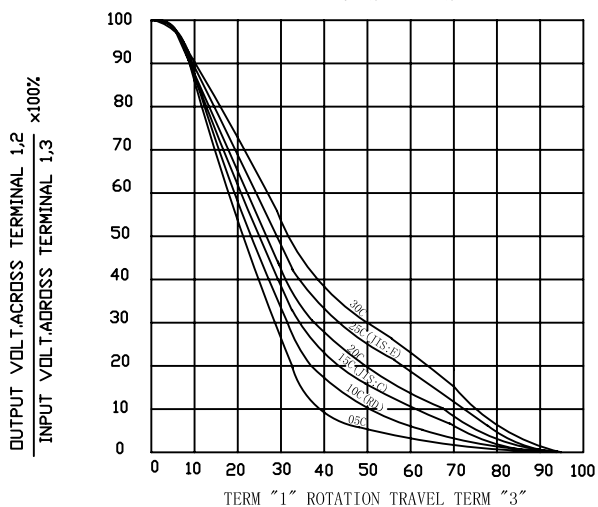
TAPER A SERIES



TAPER A & C WITH 50% TAP



TAPER C SERIES



TAPER M & N SERIES

