
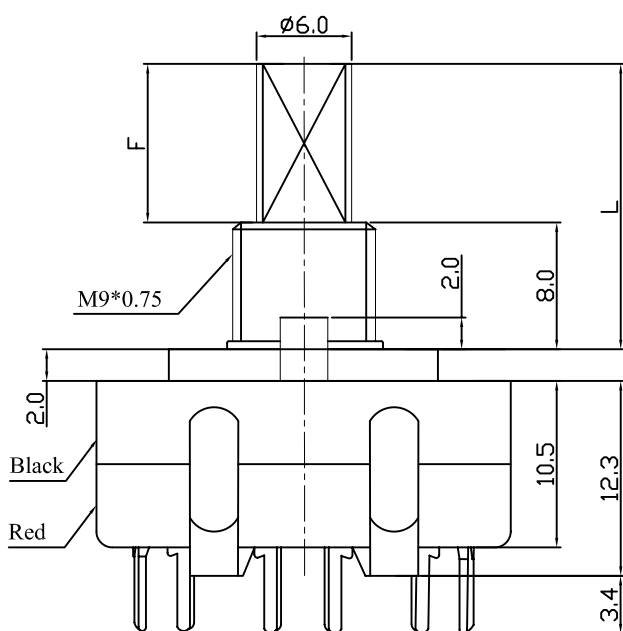
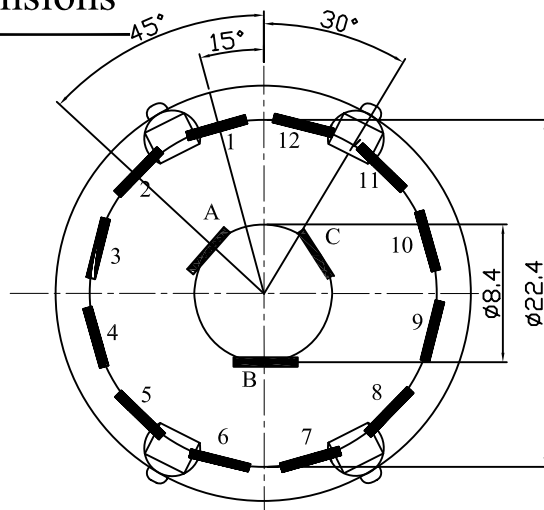
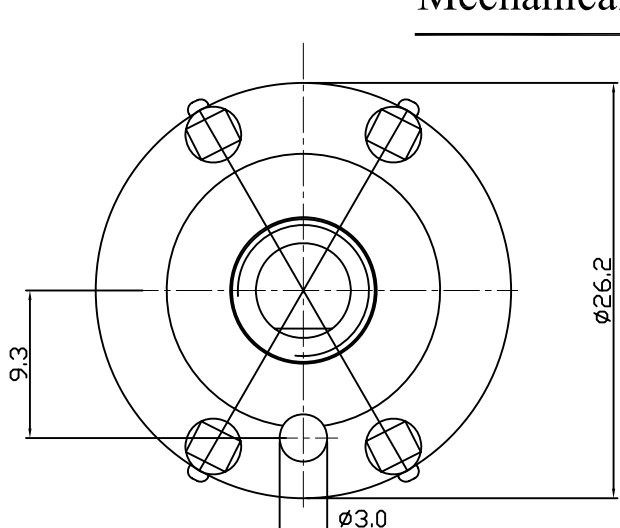


# 一、旋轉式多路開關系列技術規格書

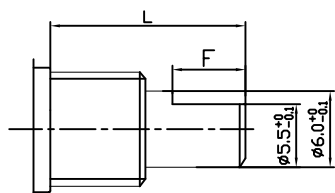
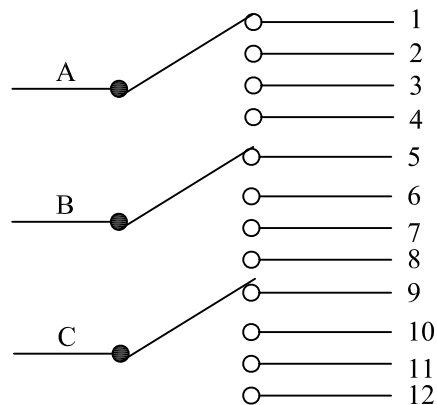
## Rotary Series Route Switches Technic Specifications

1. 電氣性能 (Electrical Characteristic)				
序号	項目			特性
1.1	額定功率 (Rated Power)			DC 125V 0.3A
1.2	絕緣阻抗 (Insulation Resistance)			More than 100MΩ at DC500V
1.3	耐電壓 (Withstand Voltage)			For 1 minute at:500V
1.4	接觸電阻 (Contact Resistance)			Less than 20mΩ
2. 機械性能 (Mechanical Characteristics)				
2.1	全回轉角度 (Rotation Angle)			30° *12
2.2	旋轉力矩 (Rotation Torque)			1±0.5Kgf.cm
2.3	軸的拉、押強度 (Pull-Push Strength)			6Kgf.cm
2.4	轉動止檔強度 (Rotational Stop-End Torque)			8kgf.cm
2.5	焊錫耐熱性 (Resistance To Soldering Heat)			260±5℃ at 3±1 seconds
2.6	使用溫度範圍: (Used Temperature Range)			- 10℃~60℃
2.7	開關操作力 (Switch Action)			1±0.5Kgf.cm
3. 耐久性能 (Durability)				
3.1	回轉壽命 (Rotation Life)			10,000Cycles Min
批 准		審 核		設 計
				

# 外形圖 Mechanical Dimensions

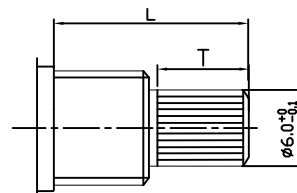


## 接線圖 Circuit Explanation



F TYPE:

X	A	B	C	D	E
L	15	20	25	30	35
F	7.0	12	17	22	27



KQ TYPE:

X	2	4	5	6	7
L	15	20	25	30	35
T	7.0	12	17	22	27

3			PRODUCT NAME	密封式波段开关		
2			MODEL NAME	SR263- <input type="checkbox"/> A1-3-4P(360) X		
1			APPROVED BY	CHECKED BY	DRAWN BY	
NO	DATE	DESCRIPTION				
		DIMENSION	TOLERANCE	SCALE		
		$l \leq 10$	$\pm 0.2$	UNIT	mm	
		$10 < l \leq 30$	$\pm 0.5$	VER.		
		$30 < l \leq 100$	$\pm 1.0$	DATE	07/06/07	

