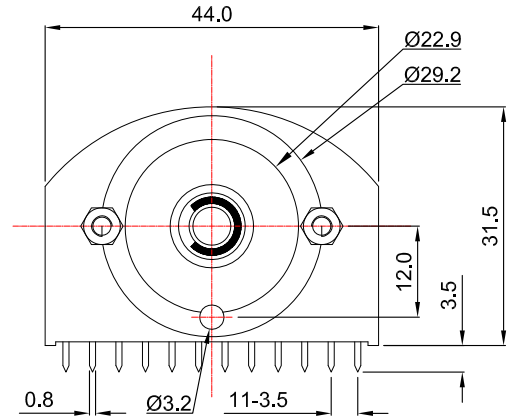
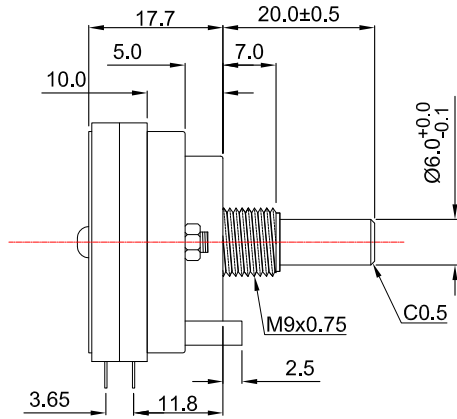
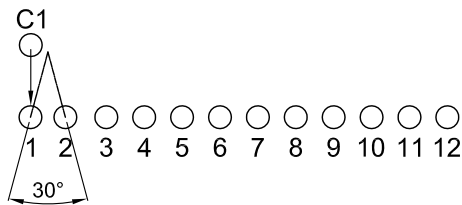


外形图 Mechanical Dimensions

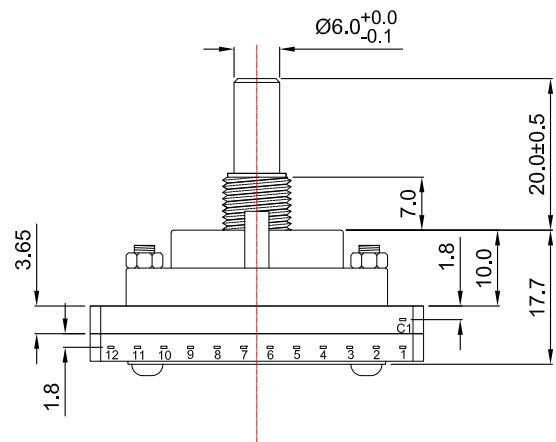


Shaft shown in full
C.C.W position

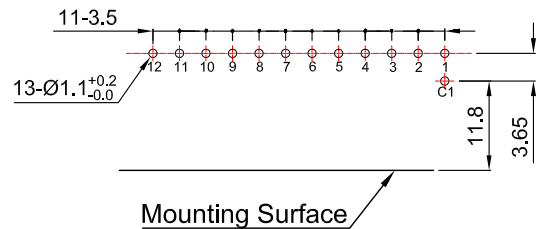


Switch pole 电性回路示意图

- | | |
|------------|-------------|
| A段: 1个C1-1 | G段: 1个C1-7 |
| B段: 1个C1-2 | H段: 1个C1-8 |
| C段: 1个C1-3 | I段: 1个C1-9 |
| D段: 1个C1-4 | J段: 1个C1-10 |
| E段: 1个C1-5 | K段: 1个C1-11 |
| F段: 1个C1-6 | L段: 1个C1-12 |



安装孔位置图
P.C.B. mounting hole detail



- 1.Changeover timing: **Shorting**
- 2.Changeover angle: 30°
- 3.SWITCH RATING: DC 30V 0.5A
- 4.WITHSTAND VOLTAGE: for 1 minute at DC 500V
- 5.INSULATION RESISTANCE: DC 500V 100MΩ MIN
- 6.CONTACT RESISTANCE: 30mΩ MAX
- 7.ROTATIONAL TORQUE: 1 TO 2 SECTION 0.8kg±0.2kg
- 8.SWITCH LIFE: 10,000cycles
- 9.SOLDERING HEAT: 260 degree and less than 5 seconds

| | | | | | | |
|----|------|--------------|-----------|--|---|---|
| 3 | | | | PRODUCT NAME | Rotary switch | |
| 2 | | | | MODEL NAME | RS44-1-1-12-7-20R | |
| 1 | | | | APPROVED BY | CHECKED BY | DRAWN BY |
| NO | DATE | DESCRIPTION | | | | |
| | | DIMENSION | TOLERANCE | SCALE | | |
| | | ∫ ≤ 10 | ± 0.2 | UNIT | mm | |
| | | 10 < ∫ ≤ 30 | ± 0.5 | VER. | A0 | |
| | | 30 < ∫ ≤ 100 | ± 1.0 | DATE | 2017/12/08 | |
| | | All Angles | ± 5° | | | |
| | | | | <div style="border: 1px solid black; border-radius: 50%; width: 60px; height: 60px; display: flex; flex-direction: column; justify-content: center; align-items: center;"> R & D 2017/12/08 Eva </div> | <div style="border: 1px solid black; border-radius: 50%; width: 60px; height: 60px; display: flex; flex-direction: column; justify-content: center; align-items: center;"> R & D 2017/12/08 Sophie </div> | <div style="border: 1px solid black; border-radius: 50%; width: 60px; height: 60px; display: flex; flex-direction: column; justify-content: center; align-items: center;"> R & D 2017/12/08 Dick </div> |