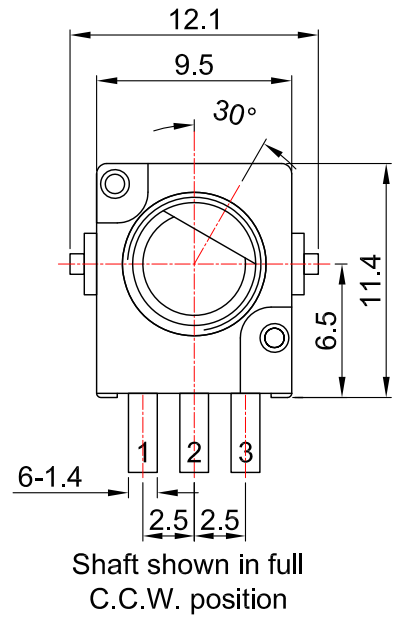
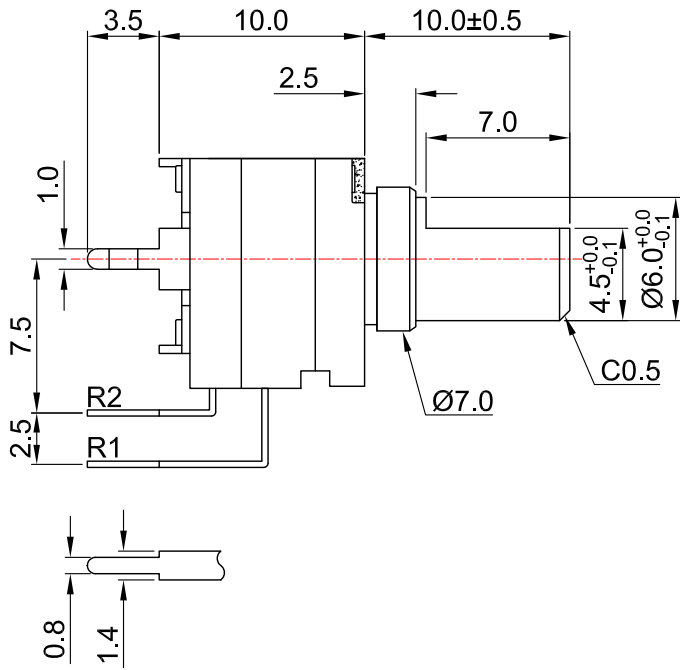
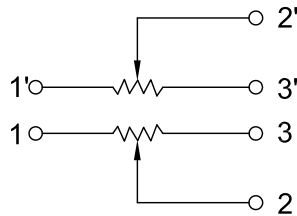


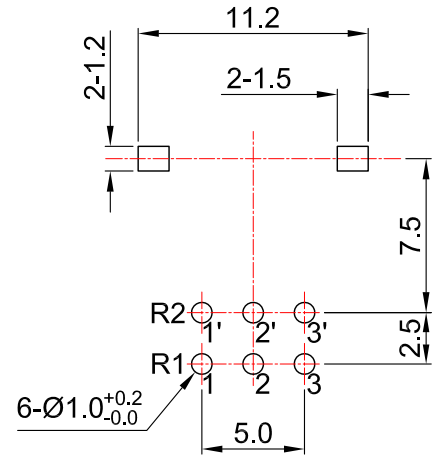
外形图 Mechanical Dimensions



接线图
Circuit explanation






安装孔位置图
P.C.B. mounting hole detail



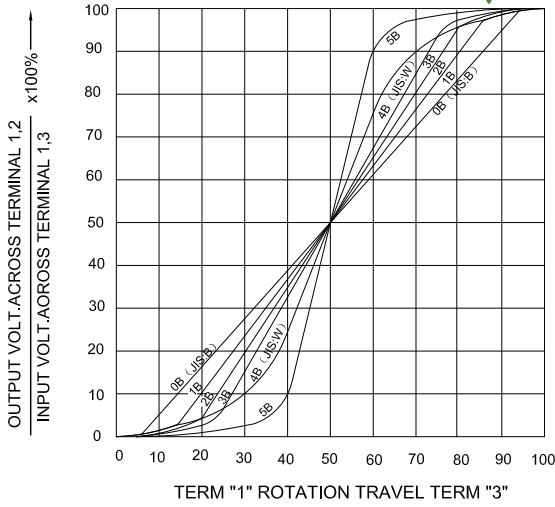
3				PRODUCT NAME	Rotary Potentiometer	
2				MODEL NAME	R0923GH-HD1-value-W2.5	
1	NO	DATE	DESCRIPTION	APPROVED BY	CHECKED BY	DRAWN BY
			DIMENSION			
			TOLERANCE			
			SCALE			
			UNIT			
			mm			
			± 0.2			
			∫ ≤ 10			
			± 0.5			
			10 < ∫ ≤ 30			
			± 1.0			
			30 < ∫ ≤ 100			
			± 5°			
			All Angles			
				<div style="border: 1px solid black; border-radius: 50%; width: 40px; height: 40px; margin: 0 auto; display: flex; flex-direction: column; align-items: center; justify-content: center;"> R & D 2017/04/19 Eva </div>	<div style="border: 1px solid black; border-radius: 50%; width: 40px; height: 40px; margin: 0 auto; display: flex; flex-direction: column; align-items: center; justify-content: center;"> R & D 2017/04/19 Sophie </div>	<div style="border: 1px solid black; border-radius: 50%; width: 40px; height: 40px; margin: 0 auto; display: flex; flex-direction: column; align-items: center; justify-content: center;"> R & D 2017/04/19 Dick </div>

9 mm Rotary Potentiometers series Specifications

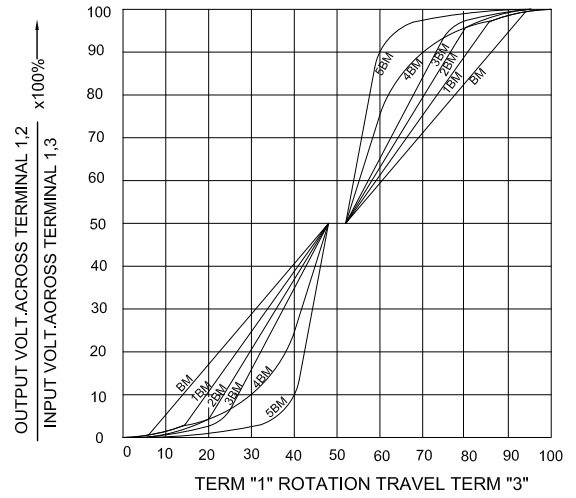
1.電氣性能 (Electrical Characteristics)	
1.1	全阻抗值 (Total Resistance) 10KΩ
1.2	全阻抗值允許偏差 (Total Resistance Tolerance) ±20% (More than 1 M Ω ±30%)
1.3	電阻隨溫度變化特性 Resistance of temperature change character) 20°C-75°C:ΔR/R≤±5%, -25°C-20°C:ΔR/R≤±4.5%
1.4	阻值變化特性 (Resistance Taper) B
1.5	零位阻值 (Residual Resistance) R≥250KΩ / 0.1 % max. of total Value 250KΩ>R>10KΩ / 20Ω max. 10KΩ≥R / 10Ω max.
1.6	額定功率 (Rated Power) Linear Taper B: 0.05W Other Taper:0.025W
1.7	最高使用電壓 (Max.Operating Voltage) 50V AC
1.8	動雜音 (Rotational Noise) Less Than 100mV
1.9	絕緣阻抗 (Insulation Resistance) More than 100MΩ at DC 250V
1.10	耐電壓 (Withstand Voltage) For 1 minute at: AC 300V
1.11	开关額定功率(Switch Rated Power) -----
1.12	同步誤差 (Gang Error) -40dB to 0dB 3dB max.
2.機械性能 (Mechanical Characteristics)	
2.1	全回轉角度 (Rotation Angle) 300°±10°
2.2	旋轉力矩 (Rotation Torque) 10~200gf.cm
2.3	軸的拉、押強度 (Pull-Push Strength) Pull 3Kgf.cm / Push 5 Kgf.cm
2.4	轉動止檔強度 (Rotational Stop-End Torque) 3 kgf.cm Min
2.5	开关角度(Switch Working Angel) -----
2.6	开关力矩(Switch Working Torque) -----
2.7	旋轉定位數目 (Number of Detents(click) detent: 0
2.8	焊錫耐熱性 (Resistance To Soldering Heat) <u>260±5</u> °C and less than <u>3</u> seconds
3.耐久性能 (Durability)	
3.1	回轉壽命 (Rotation Life) 10,000 Cycles min.
3.2	工作溫度 (Operating temperature) -10°C~+70°C
4.1	外形尺寸圖/曲線特性圖 (Shape size drawing/curve characteristic drawing) 見附頁 Please refer the drawing
批准	 審 核  設 計 

RESISTANCE TAPER

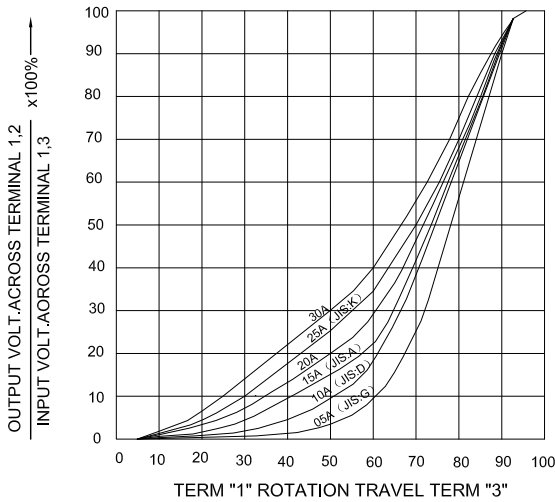
TAPER B SERIES



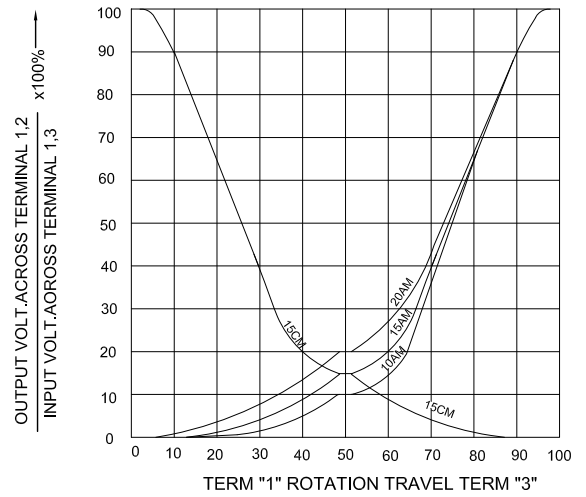
TAPER B WITH 50% TAP



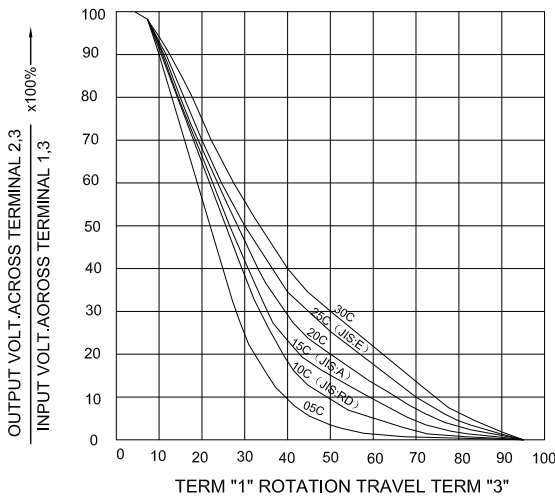
TAPER A SERIES



TAPER A & C WITH 50% TAP



TAPER C SERIES



TAPER M & N SERIES

